



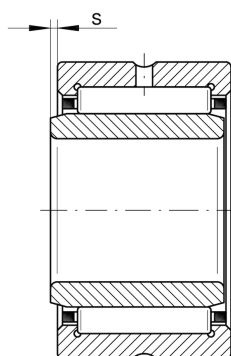
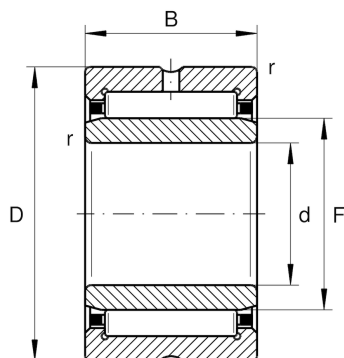
NKIS40

Needle roller bearing

Schaeffler ID:
0001393510000

Needle roller bearing NKIS, single row,
with inner ring, outer ring with 2 bords

Technical information



Main Dimensions & Performance Data

d	40 mm	Bore diameter
D	65 mm	Outside diameter
B	22 mm	Width
C_r	42,500 N	Basic dynamic load rating, radial
C_{0r}	67,000 N	Basic static load rating, radial
C_{ur}	9,500 N	Fatigue load limit, radial
n_G	8,900 1/min	Limiting speed
n_{gr}	4,850 1/min	Reference speed
	278.31 g	Weight

Dimensions

F	50 mm	Raceway diameter inner ring
r_{min}	1 mm	Minimum chamfer dimension
s	0.5 mm	Axial displacement

Temperature range

T_{min}	-30 °C	Operating temperature min.
T_{max}	120 °C	Operating temperature max.